

FINCAN D.96A

Financial cancellation message

Recommendation of D6 EWG sub-working group Finance

for the use of the UN/EDIFACT-Message

Version 1.2 from May 3rd, 2001

Table of contents

Table of contents	1
1. Introduction	2
1.1. Scope	2
1.1.1. Functional Definition	2
1.1.2. Field of Application	2
1.1.3. Principles.....	2
1.2. References	2
1.3. Data Segment Clarification	3
1.4. Codes to be used in DE 1131 and DE 3055 (associated with DE 3434 – Institution Branch Number)	4
2. Message Layout	7
2.1. Branching Diagram	7
2.2. Message Structure	8
3. Segment Layout	9
3.1. Introduction	9
3.1.1. UN/EDIFACT Directory 96.A Block.....	9
3.1.2. D6 Description Block.....	9
3.1.3. Third Block.....	10
3.2. Segment Description	10
4. History of changes	32

1. Introduction

This specification provides the definition of the Financial cancellation message (FINCAN) to be used in Electronic Data Interchange (EDI) between trading partners involved in administration, commerce and transport.

1.1. Scope

1.1.1. Functional Definition

A Financial Cancellation Message is sent by the Ordering Customer (or Payor or Agent on behalf of the Ordering Customer) or by a third party having authority on the Ordering Customer's payments to the Ordered Bank to request cancellation of a given financial message or transaction.

Throughout this document: - The term 'Original Message' refers to the message to be cancelled (in full or part thereof); the term 'originator' refers to the sender of the original message.

1.1.2. Field of Application

The Financial cancellation message may be used for both national and international trade. It is based on universal commercial practice and is not dependent on the type of business or industry.

1.1.3. Principles

This message contains one to many cancellation instructions.

1.2. References

This document is based on:

Title	Version	Remarks	Source
ISO 9735 Electronic data interchange for administration, commerce and transport (EDIFACT) – Application level syntax rules	Syntax version number: 3		http://www.iso.ch/cate/cat.html
ISO 646 Information processing – ISO 7-bit coded character set			http://www.iso.ch/cate/cat.html

for information interchange			
UNITED NATIONS TRADE DATA INTERCHANGE DIRECTORY (UNTDID)	D.96A	Definition FINCAN	http://www.unece.org/trade/untdid
UNITED NATIONS TRADE DATA INTERCHANGE DIRECTORY (UNTDID)	D.00B	UNCL (codelist) only	http://www.unece.org/trade/untdid
Recommended Practice For Message Flow And Security For EDIFACT Payments (D6)	Version 2.03	D6_RecPract_2v03.pdf	http://www.edifact-wg.org
FINCAN D.96A Financial cancellation message, Recommendation of D6 Sub Working Group Finance for the use of the UN/EDIFACT Message	Version 1.0	Fincan.rtf (created on 2/17/98)	
D6 Referencing Rules and Recommendations	Version 1.1	D6_RefRules_1v01.pdf	http://www.edifact-wg.org

1.3. Data Segment Clarification

The following semantic principles applying to the message are intended to facilitate the understanding of the message.

The Financial Cancellation message is structured in two levels: A and B.

- Level A (UNH, BGM, DTM, *BUS (not used)*, Segment Groups 1, 2, 3 and 6, CNT and UNT) contains general data related to the whole message.
- Level B (Segment Groups 4 and 5) contains data identifying the message or transaction to be cancelled.

Where a choice of code or text is given, only the code element should be used wherever possible.

1.4. Codes to be used in DE 1131 and DE 3055 (associated with DE 3434 – Institution Branch Number)

DE3434 – DE1131 (Code List Qualifier)	25 = Bank identification
	43 = CHIPS Participant ID
	44 = CHIPS Universal ID
	154 = Bank branch sorting identification
	155 = Automated clearing house
	157 = Clearing code
DE3434 – DE3055 (Code List Responsible Agency, coded)	5 = ISO (International Organization for Standardization)
	19 = FRRC (Federal Reserve Routing Code)
	108 = FR, Banque de France
	114 = US, ABA (American Bankers Association)
	118 = SE, Svenska Bankfoerenigen
	119 = IT, Associazione Bancaria Italiana
	121 = CH, Telekurs AG
	122 = CH, Swiss Securities Clearing Corporation
	124 = NO, Norwegian Bankers Ass.
	125 = FI, The Finnish Bankers' Association
	128 = BE, Belgian Bankers' Association
	130 = DK, PBS (Pengainstitutternes Betalings Service)
	131 = DE, German Bankers Association

133 = GB, Association for Payment Clearing Services
137 = AT, Verband oesterreichischer Banken und Bankiers
171 = NL, Interpay Girale Services
202 = PT, Banco de Portugal
275 = ES, Banco de España
ZA7 = TW, Taiwanese Bankers' Association (D6 code)
Zxx = If no code exists, then "Z" + "ISO 3166 two alpha country code"

These codes should be combined as indicated in the following table:

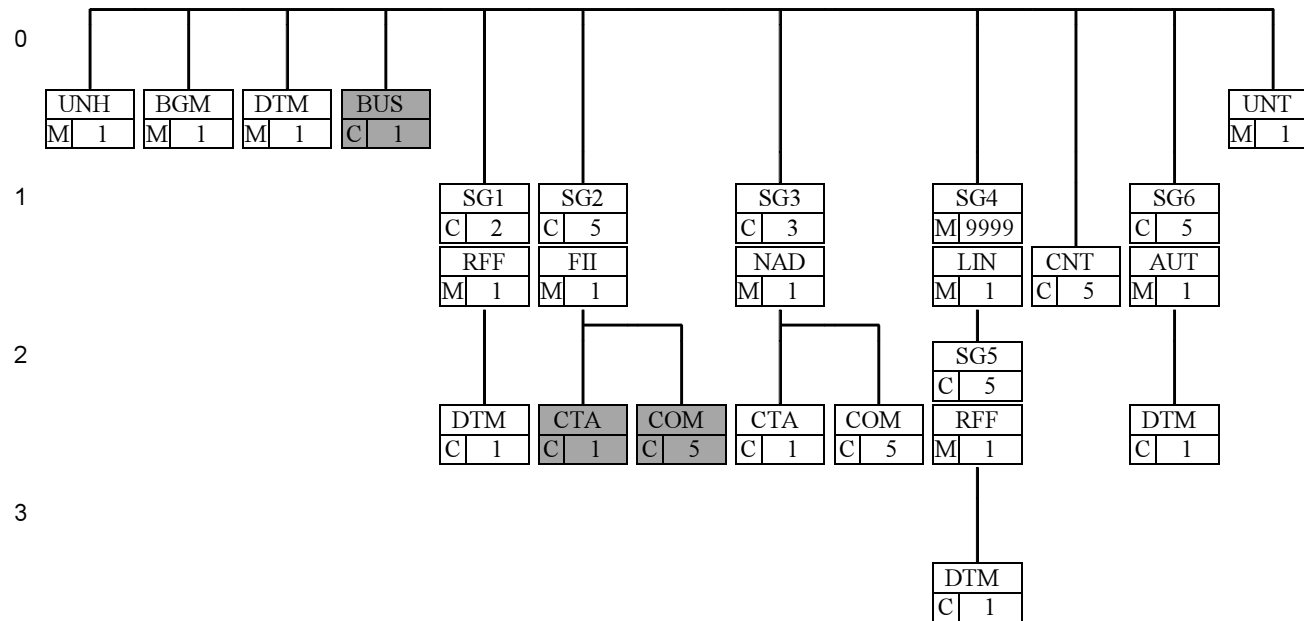
To identify a financial institution by the following code	1131 Code	3055 Code
ISO Bank Identifier Code	25	5
Fedwire Id	25	19
French Bank Code	25	108
Swedish Bank Clearing Number	157	118
Italian Bank Code	25	119
Swiss Bank Clearing Number	157	121
Norwegian Bank Code	25	124
Finnish Bank Code	25	125
Belgian Bank Code	25	128
Danish Bank Code	25	130

German Bankleitzahl	25	131
GB Bank Sort Code	154	133
Austrian Bankleitzahl	25	137
Dutch Bank Code	25	171
Portuguese Bank Code	25	202
Portuguese Clearing House Code	155	202
Spanish Bank code	25	275
Chinese Taipei Bank Code	154	ZA7 (D6 code)
CHIPS Participant ID	43	114
CHIPS Universal ID	44	114

2. Message Layout

2.1. Branching Diagram

The use of the shadowed segments is either not recommended or depends upon national requirements. These segments are marked with **N** in the chapter “Segment Layout” without further description.



2.2. Message Structure

Pos	Tag Name	S	R
0010	UNH Message header	M	1
0020	BGM Beginning of message	M	1
0030	DTM Date/time/period	M	1
0040	BUS Business function	C	1
0050	Segment group 1	C	2
0060	RFF Reference	M	1
0070	DTM Date/time/period	C	1
0080	Segment group 2	C	5
0090	FII Financial institution information	M	1
0100	CTA Contact information	C	1
0110	COM Communication contact	C	5
0120	Segment group 3	C	3
0130	NAD Name and address	M	1
0140	CTA Contact information	C	1
0150	COM Communication contact	C	5
0160	Segment group 4	M	9999
0170	LIN Line item	M	1
0180	Segment group 5	C	5
0190	RFF Reference	M	1
0200	DTM Date/time/period	C	1
0210	CNT Control total	C	5
0220	Segment group 6	C	5
0230	AUT Authentication result	M	1
0240	DTM Date/time/period	C	1
0250	UNT Message trailer	M	1

3. Segment Layout

3.1. Introduction

This section describes each segment of the UN/EDIFACT message FINCAN.

Each segment is presented in a separate table and in the sequence in which they appear in the message.

The upper half of each table provides information about the segment or segment group concerned, the lower part of the table describes the data elements (composite and simple).

Each table is structured in three vertical blocks: UN/EDIFACT Directory 96.A, D6 and an empty block:

3.1.1. UN/EDIFACT Directory 96.A Block

The left third of the table provides information extracted from the original UN/EDIFACT Directory 96.A.

In the first line of this block, the segment or segment group tag is followed by the maximum number of occurrences.

The second line contains the (M)andatory / (C)onditional indicator at segment level, according to the UN/EDIFACT Directory 96.A

In the lower half of the table, the data element tag (composite or simple) and full name are followed by the corresponding (M)andatory / (C)onditional indicators and the format.

3.1.2. D6 Description Block

This block presents the recommendations of D6 (EWG sub-working group Finance).

Both for segment level and for data element level (simple and composite), the following status/sub-status are defined:

M	MANDATORY	The entity is mandatory and must be sent (according to directory, unchanged)
R	REQUIRED	The entity is required and must be sent
D	DEPENDENT	The entity must be sent in certain conditions, as defined by the relevant explanatory note

O	OPTIONAL	The entity is optional and may be sent at the discretion of the user
N	NOT USED	The entity is not used and should be omitted. Any data placed in an element marked with N will be ignored.

At data element level:

- The first column indicates the status as defined above (with the options M, R, D, O, N);
- The second column includes information affecting the code values as follows:

*	Restricted codelist	Code values preceded by an asterisk (*) are the only codes available for use in the given context
<blank>	Open codelist	Code values not preceded by an asterisk (*) are not restricted (they are open). The available codes are listed in the codelist of the corresponding UN/EDIFACT directory.
* R	Required code in a restricted list	Codes preceded by an “R” are required and must occur in one repetition of the corresponding segment if used.
R	Required code in an open list	Codes preceded by an “R” are required and must occur in one repetition of the corresponding segment if used.

- The third column provides additional comments and descriptions.

Note that if a segment group/segment/composite data element is flagged as “N”, all data elements within that segment group/segment/composite data element will have blank status indicators.

3.1.3. Third Block

The last block of the table has been left empty.

3.2. Segment Description

See next page

UNH - 1 MESSAGE HEADER			
UN/EDIFACT Directory 96.A	M	D6	M
<p>A service segment starting and uniquely identifying a message. The message type code for the Financial cancellation message is FINCAN.</p> <p>Note: Financial cancellation messages conforming to this document must contain the following data in segment UNH, composite S009: Data element 0065 FINCAN 0052 D 0054 96A 0051 UN</p>			
Segment number : 1			
UN/EDIFACT Directory 96.A	D6 Description		
0062 Message reference number	M an..14	M	This sender-generated sequence number must be unique within an interchange. DE 0062 in the UNT segment must have the same value.
S009 MESSAGE IDENTIFIER	M	M	Incorrect data in this composite DE will cause message rejection.
0065 Message type identifier	M an..6	M *R	FINCAN = Financial cancellation message
0052 Message type version number	M an..3	M *R	D = Directory
0054 Message type release number	M an..3	M *R	96A = Release 96A
0051 Controlling agency	M an..2	M *R	UN = UN/ECE/TRADE/WP.4, United Nations Standard Messages (UNSM)
0057 Association assigned code	C an..6	O *	FUN01G = Industry/Country code/Version number/Function, i.e. Finance/United Nations/Version 1/General
0068 Common access reference	C an..35	N	
S010 STATUS OF THE TRANSFER	C	N	
0070 Sequence message transfer number	M n..2		
0073 First/last sequence message transfer indication	C a1		
<u>Example.</u>			
UNH+19970630MJRF+FINCAN:D:96A:UN:FUN01G'			

BGM - 1 Beginning of message						
UN/EDIFACT Directory 96.A M			D6 M			
A segment for unique identification of the Financial Cancellation message, its type, number and function.						
Segment number : 2						
UN/EDIFACT Directory 96.A			D6 Description			
C002 Document/message name	C	R				
1001 Document/message name, coded	C an..3	R	*R	213 = Request for financial cancellation		
1131 Code list qualifier	C an..3	N				
3055 Code list responsible agency, coded	C an..3	N				
1000 Document/message name	C an..35	N				
1004 Document/message number	C an..35	R		Must be unique within the legally binding time of archiving EDI Documents. A second FINCAN message with the same document number, but without code 7 in DE1225 will be rejected.		
1225 Message function, coded	C an..3	R	*	9 = Original		
			*	7 = Duplicate		
				If code 7 is used, then SG 1 is required.		
4343 Response type, coded	C an..3	O	*	AB = Message acknowledgement		
				If this DE is missing, the acknowledgement of the message together with the responsibility for the receiver will happen as bilaterally agreed.		
<u>Example:</u>						
BGM+213+4904594056+9'						

DTM - 1 Date/time/period					
UN/EDIFACT Directory 96.A M			D6 M		
A segment containing the creation date of the Financial Cancellation Message.					
Segment number : 3					
UN/EDIFACT Directory 96.A			D6 Description		
C507	Date/time/period	M	M		
2005	Date/time/period qualifier	M an..3	M	*R	137 = Document/message date/time
2380	Date/time/period	C an..35	R		A date in the future can be accepted giving the creation of messages across different time zones.
2379	Date/time/period format qualifier	C an..3	R	*	102 = CCYYMMDD
				*	203 = CCYYMMDDHHMM
<u>Example:</u>					
DTM+137:19970630:102'					

BUS - 1 Business function			
UN/EDIFACT Directory 96.A	C	D6	N
A segment providing information for routing of the message.			
Segment number : 4			
UN/EDIFACT Directory 96.A	D6 Description		
C521 Business function	C		
4027 Business function qualifier	M an..3		
4025 Business function, coded	M an..3		
1131 Code list qualifier	C an..3		
3055 Code list responsible agency, coded	C an..3		
4022 Business description	C an..70		
3279 Geographic environment, coded	C an..3		
4487 Type of financial transaction, coded	C an..3		
C551 Bank operation	C		
4383 Bank operation, coded	M an..3		
1131 Code list qualifier	C an..3		
3055 Code list responsible agency, coded	C an..3		
4463 Intra-company payment, coded	C an..3		

SG1 - 2 RFF-DTM			
UN/EDIFACT Directory 96.A C		D6 D	
A group of segments identifying a previously sent message.		This segment group is only used when DE 1225 in BGM contains code 7 (duplicate).	
RFF - 1 Reference			
UN/EDIFACT Directory 96.A M		D6 M	
A segment specifying the reference number of the previously sent message.		This segment contains the original Document/message number (BGM 1004) of the previously sent message regardless of whether the two BGM numbers are the same.	
Segment number : 5			
UN/EDIFACT Directory 96.A		D6 Description	
C506 Reference	M	M	
1153 Reference qualifier	M an..3	M *R	ACW = Reference number to previous message BGM 1004 from original message
1154 Reference number	C an..35	R	
1156 Line number	C an..6	N	
4000 Reference version number	C an..35	N	
<u>Example:</u> RFF+ACW:2467543'			

SG1 - 2 RFF-DTM					
DTM - 1 Date/time/period					
UN/EDIFACT Directory 96.A C			D6 O		
A segment indicating the creation date of the referenced message.					
Segment number : 6					
UN/EDIFACT Directory 96.A			D6 Description		
C507	Date/time/period	M	M		
2005	Date/time/period qualifier	M an..3	M	*R	171 = Reference date/time
2380	Date/time/period	C an..35	R	*	Creation date of the original message
2379	Date/time/period format qualifier	C an..3	R	*	102 = CCYYMMDD
				*	203 = CCYYMMDDHHMM
<u>Example:</u>					
DTM+171:19970630:102'					

SG2 - 5 FII-CTA-COM			
UN/EDIFACT Directory 96.A C		D6 O	
A group of segments identifying the financial institutions involved in the Financial Cancellation message.		This segment group is used for routing purposes only.	
FII - 1 Financial institution information			
UN/EDIFACT Directory 96.A M		D6 M	
A segment identifying the financial institution which received the original message which this message refers to.		This segment identifies the sender and/or receiver of a FINCAN	
Segment number : 7			
UN/EDIFACT Directory 96.A		D6 Description	
3035 Party qualifier	M an..3	M	* MR = Message recipient * MS = Document/message issuer/sender * AS = Account servicing financial institution. The usage of this code is subject to national agreement.
C078 Account identification	C	N	
3194 Account holder number	C an..35		
3192 Account holder name	C an..35		
3192 Account holder name	C an..35		
6345 Currency, coded	C an..3		
C088 Institution identification	C	R	The Bank Identifier Code may only be placed in DE 3433. The national bank/branch sorting code may only be placed in DE 3434. Data element 3433 is mutually exclusive with DE 3434.
3433 Institution name identification	C an..11	D	
1131 Code list qualifier	C an..3	D	*R 25 = Bank identification
3055 Code list responsible agency, coded	C an..3	D	*R 5 = ISO (International Organization for Standardization)
3434 Institution branch number	C an..17	D	
1131 Code list qualifier	C an..3	D	* The allowed combinations of the codes of DE 1131 and 3055 are stated in Section 1.4. of this MIG.
3055 Code list responsible agency, coded	C an..3	D	* The allowed combinations of the codes of DE 1131 and 3055 are stated in Section 1.4. of this MIG.
3432 Institution name	C an..70	N	
3436 Institution branch place	C an..70	N	
3207 Country, coded	C an..3	D	ISO 3166 two alpha country code. This data element is used when DE 3434 is used and no country is mentioned in its associated DE 3055.
<u>Example:</u> FII+MR++DRESDEFF:25:5'			

SG2 - 5 FII-CTA-COM			
CTA - 1 Contact information			
UN/EDIFACT Directory 96.A C	D6 N		
A segment identifying a person or department for the financial institution identified in the FII segment and to whom communication should be directed.			
Segment number : 8			
UN/EDIFACT Directory 96.A	D6 Description		
3139 Contact function, coded	C an..3		
C056 Department or employee details	C		
3413 Department or employee identification	C an..17		
3412 Department or employee	C an..35		

SG2 - 5 FII-CTA-COM			
COM - 5 Communication contact			
UN/EDIFACT Directory 96.A C		D6 N	
A segment providing communication numbers for the financial institution identified in the FII segment and optionally for the contact identified in the associated CTA segment.			
Segment number : 9			
UN/EDIFACT Directory 96.A		D6 Description	
C076 Communication contact	M		
3148 Communication number	M an..512		
3155 Communication channel qualifier	M an..3		

SG3 - 3 NAD-CTA-COM			
UN/EDIFACT Directory 96.A C		D6 O	
A group of segments identifying the parties involved in the exchange of the message and their contacts.		This segment group is used for routing purposes only.	
NAD - 1 Name and address			
UN/EDIFACT Directory 96.A M		D6 M	
A segment identifying the two parties involved in the exchange of the message, i.e., the message sender and message recipient. The message sender should be identical to the originator of the original message (i.e. the message which contains instructions to be cancelled).			
Segment number : 10			
UN/EDIFACT Directory 96.A		D6 Description	
3035 Party qualifier	M an..3	M	* * MS = Document/message issuer/sender HQ = Account owner. The usage of this code is subject to national agreement.
C082 Party identification details	C	D	Either C082 or DE's C080, C059, 3164, 3229, 3251 and 3207 are used. In this composite only bilaterally agreed codes are allowed.
3039 Party id. identification	M an..35	M	
1131 Code list qualifier	C an..3	D	
3055 Code list responsible agency, coded	C an..3	D	
C058 Name and address	C	N	
3124 Name and address line	M an..35		
3124 Name and address line	C an..35		
3124 Name and address line	C an..35		
3124 Name and address line	C an..35		
3124 Name and address line	C an..35		
C080 Party name	C	D	Either C082 or DE's C080, C059, 3164, 3229, 3251 and 3207 are used. Use of structured name and address has to be allowed by bilateral agreement.
3036 Party name	M an..35	M	
3036 Party name	C an..35	O	
3036 Party name	C an..35	O	
3036 Party name	C an..35	N	
3036 Party name	C an..35	N	
3045 Party name format, coded	C an..3	N	
C059 Street	C	D	
3042 Street and number/p.o. box	M an..35	M	

3042	Street and number/p.o. box	C	an..35	O			
3042	Street and number/p.o. box	C	an..35	O			
3042	Street and number/p.o. box	C	an..35	N			
3164	City name	C	an..35	D			
3229	Country sub-entity identification	C	an..9	D			
3251	Postcode identification	C	an..9	D			
3207	Country, coded	C	an..3	D	ISO 3166 two alpha country code.		
<u>Example:</u>							
NAD+MS+2729712345832:160:9'							

SG3 - 3 NAD-CTA-COM				
CTA - 1 Contact information				
UN/EDIFACT Directory 96.A C		D6 O		
A segment identifying a person or a department for the party specified in the NAD segment and to whom communication should be directed.				
Segment number : 11				
UN/EDIFACT Directory 96.A		D6 Description		
3139 Contact function, coded	C an..3	R	*R	IC = Information contact
C056 Department or employee details	C	R		
3413 Department or employee identification	C an..17	N		
3412 Department or employee	C an..35	R		The name of the department or employee in free text form
<u>Example:</u> CTA+IC+:C SCHWAB"				

SG3 - 3 NAD-CTA-COM			
COM - 5 Communication contact			
UN/EDIFACT Directory 96.A C		D6 O	
A segment providing communication numbers for the party identified in the NAD segment and optionally for the contact identified in the associated CTA segment.			
Segment number : 12			
UN/EDIFACT Directory 96.A		D6 Description	
C076 Communication contact	M	M	When character sets UNOA or UNOB are used, the @ in e-mail addresses must be shown with (at) (parenthesis, at, paranthesis), e.g. <john.smith(at)abc.com>. EM = Electronic mail FX = Telefax TE = Telephone TL = Telex The use of other codes must be bilaterally agreed.
3148 Communication number	M an..512	M	
3155 Communication channel qualifier	M an..3	M	
<u>Example:</u> COM+441718393444:TE'			

SG4 - 9999 LIN-SG5			
UN/EDIFACT Directory 96.A M		D6 M	
A group of segments identifying a message or transaction to be cancelled.		<p>One single FINCAN can refer to several messages, transaction batches (B-levels) or single transactions (C-levels). The cancellation of an interchange by quoting only the interchange reference number is subject to national agreement. Segment group 5 (RFF – DTM) may occur several times, e.g. for referencing: - to an interchange, - to a (single or multiple) message, - to a B-level of a multiple message, - to a C-level of a multiple message. The request for cancellation will only affect the item on the lowest referenced level if several references are mentioned. Segment group 4 has to be repeated for each item requested to be cancelled. Successful cancellation depends on the status of the original transaction.</p>	
LIN - 1 Line item			
A segment specifying the beginning of details referring to the message/ transaction to be cancelled.			
Segment number : 13			
UN/EDIFACT Directory 96.A		D6 Description	
1082 Line item number	C n..6	R	Application generated number of the count of the lines in a FINCAN message. This number starts with 1 in ascending order without gaps.
1229 Action request/notification, coded	C an..3	N	
C212 Item number identification	C	N	
7140 Item number	C an..35		
7143 Item number type, coded	C an..3		
1131 Code list qualifier	C an..3		
3055 Code list responsible agency, coded	C an..3		
C829 Sub-line information	C	N	
5495 Sub-line indicator, coded	C an..3		
1082 Line item number	C n..6		
1222 Configuration level	C n..2	N	
7083 Configuration, coded	C an..3	N	
<u>Example:</u>			
LIN+1'			

SG4 - 9999 LIN-SG5			
SG5 - 5 RFF-DTM			
UN/EDIFACT Directory 96.A C		D6 R	
A group of segments specifying reference numbers, dates and/or times needed to identify a referenced message or transaction.			
RFF - 1 Reference			
UN/EDIFACT Directory 96.A M		D6 M	
A segment indicating reference number(s) for the message or transaction to be cancelled.		This segment contains the original reference number(s) allocated by the original sender of the message to the transaction(s) to be cancelled.	
Segment number : 14			
UN/EDIFACT Directory 96.A		D6 Description	
C506 Reference	M	M	<p>Request for cancellation of a PAYMUL level B: * AEK = Payment order number DE 1154 contains SG4-RFF-1154 of the original PAYMUL</p> <p>Request for cancellation of a DIRDEB level B: * AKJ = Direct Debit reference DE 1154 contains SG4-RFF-1154 of the original DIRDEB</p> <p>Request for cancellation of a PAYMUL or DIRDEB level C: * CR = Customer reference number DE 1154 contains SG11-RFF-1154 of the original message</p> <p>Request for cancellation of a FINPAY level B: * ACK = Bank reference DE 1154 contains SG5-RFF-1154 of the original FINPAY</p> <p>Request for cancellation of a FINPAY level C: * AIK = Bank's individual transaction reference number DE 1154 contains SG14-RFF-1154 of the original FINPAY</p> <p>Request for cancellation of a message: * AGO = Sender's reference to the original message DE 1154 contains BGM-1004 of the original message</p> <p>Request for cancellation of an interchange: * INO = Interchange reference old DE 1154 contains UNB-0020 of the original interchange For more information see D6 Referencing Rules and Recommendations.</p>
1153 Reference qualifier	M an..3	M	
1154 Reference number	C an..35	R	
1156 Line number	C an..6	N	
4000 Reference version number	C an..35	N	

Example:

RFF+AEK:2467854300'

SG4 - 9999 LIN-SG5			
SG5 - 5 RFF-DTM			
DTM - 1 Date/time/period			
UN/EDIFACT Directory 96.A C		D6 O	
A segment specifying the date/time of the referenced message or transaction.		This segment may only be used if qualifiers INO or AGO are used in DE 1153 in the previous RFF segment.	
Segment number : 15			
UN/EDIFACT Directory 96.A		D6 Description	
C507 Date/time/period	M	M	
2005 Date/time/period qualifier	M an..3	M *R	171 = Reference date/time
2380 Date/time/period	C an..35	R	
2379 Date/time/period format qualifier	C an..3	R *	102 = CCYYMMDD
		R *	201 = YYMMDDHHMM - this code is only used with code INO in DE 1153 of the previous RFF segment (UNB number)
		R *	203 = CCYYMMDDHHMM
<u>Example:</u>			
DTM+171:19970630:102'			

CNT - 5 Control total				
UN/EDIFACT Directory 96.A C		D6 R		
A segment identifying the type of control checks and totals.				
Segment number : 16				
UN/EDIFACT Directory 96.A		D6 Description		
C270 Control	M	M		
6069 Control qualifier	M an..3	M	*	2 = Number of line items in message (LIN segments)
			*	39 = Total number of individual transactions (SEQ segments)
				The usage of code 2 is recommended.
6066 Control value	M n..18	M		
6411 Measure unit qualifier	C an..3	N		
<u>Example:</u>				
CNT+2:1'				

SG6 - 5 AUT-DTM			
UN/EDIFACT Directory 96.A C	D6 O		
A segment specifying the details of any authentication (validation) procedure applied to the Financial Cancellation message.	The use of this segment group, including algorithms and calculation procedures, is dependent on bilaterally agreed conditions between the sender and the receiver.		
AUT - 1 Authentication result			
UN/EDIFACT Directory 96.A M	D6 M		
A segment specifying the details of any authentication (validation) procedure applied to the Financial Cancellation Message.			
Segment number : 17			
	EDIFACT	D6 Description	
9280 Validation result	M an..35	M	
9282 Validation key identification	C an..35	O	
<u>Example:</u> AUT+28392612+136809A3F3283E5B'			

SG6 - 5 AUT-DTM			
DTM - 1 Date/time/period			
UN/EDIFACT Directory 96.A C		D6 R	
A segment defining the date and time of the authentication.			
Segment number : 18			
UN/EDIFACT Directory 96.A		D6 Description	
C507	Date/time/period	M	M
2005	Date/time/period qualifier	M an..3	M
2380	Date/time/period	C an..35	R
2379	Date/time/period format qualifier	C an..3	R
		218 = Authentication/validation date/time	
		102 = CCYYMMDD	
		203 = CCYYMMDDHHMM	
<u>Example:</u>			
DTM+218:19970630:102'			

UNT - 1 MESSAGE TRAILER						
UN/EDIFACT Directory 96.A M			D6 M			
A service segment ending a message, giving the total number of segments in the message and the control reference number of the message.						
Segment number : 19						
UN/EDIFACT Directory 96.A			D6 Description			
0074	Number of segments in a message	M n..6	M			
0062	Message reference number	M an..14	M		This data element must have the same value as DE 0062 in the UNH segment, a sender-generated sequence number unique within an interchange.	
<u>Example:</u> UNT+19+19970630MJRF'						

4. History of changes

The FINCAN MIG, version 1.1 of August 2000 contains the following changes, as compared to the previous version:

- Chapter 1 - Introduction New section.
- Chapter 2 - Message Layout New section.
- Chapter 3 - Segment Layout Addition of section “Introduction”.
- Chapter 3.2. - Segment Description Layout of table altered,
Consistency of descriptions improved.
- Chapter 4 - History of changes New section.

This FINCAN MIG, version 1.2 of May 2001 contains the following changes, as compared to the previous version:

- Chapter 1.3 – Segment clarification Description corrected